

Line strainer S4



Line strainer with plastic screen



Line strainer for stainless steel screen

General

- Material: PVC-U / PP
- Filter cartridge: PP
- Sealing material: EPDM / FPM
- Mash size: 2 x 4 mm
- Screen insert: 0,5 / 0,75 / 1 mm
- Dimensions: DN10 – DN80
d16 – d110
3/8" – 4"

Connector types:

PVC

- Solvent socket: DIN / ASTM / JIS
- Solvent spigot: DIN
- Threaded socket: BSP
- PE fusion socket: DIN

PP

- Fusion socket: DIN
- Fusion spigot: DIN
- Threaded socket: BSP

Further connector types on request

Operating pressure:

DN10 d16 d3/8" – DN50 d63 d2"	PN16/10
DN65 d75 d2 1/2"	PN16/8
DN80 d90 d3"	PN10/6
DN80 d110 d4"	PN6

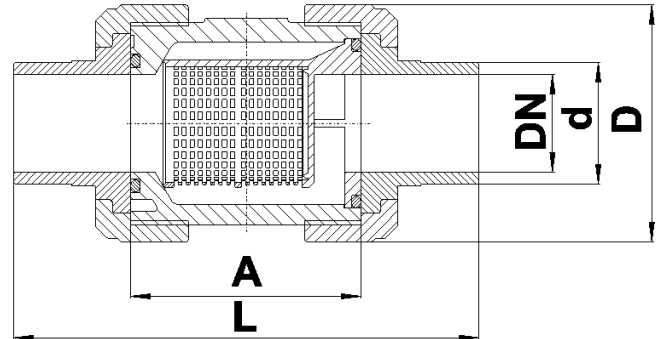
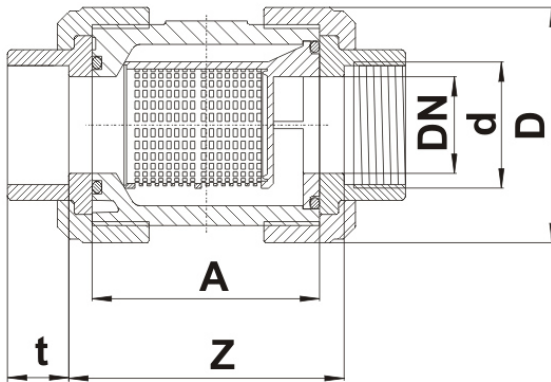
Technical features:

- Service friendliness
- Radial installation or removal
- Ideal flow characteristics

This document does not constitute a guarantee, it is for initial information purpose only. The product range is continually upgraded, the designs and types therefore only reflect the state of the art at the time of printing. Subject to technical informations!

Line strainer S4

Dimensions:



PVC

Connector types

PVC solvent socket / solvent spigot / threaded socket

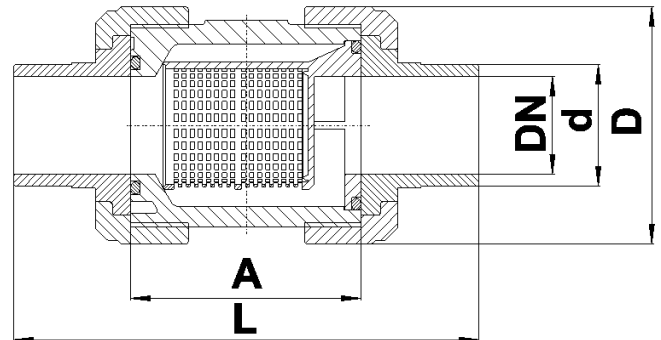
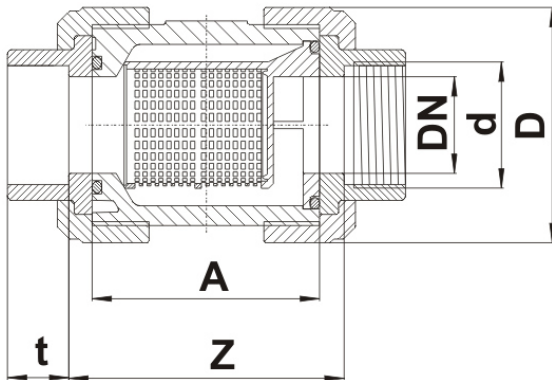
PE fusion spigot

DN	10	15	20	25	32	40	50	65	80	80
d	16	20	25	32	40	50	63	75	90	110
G TSO ¹	3/8"	1/2"	3/4"	1"	1 1/4"	1 1/2"	2"	2 1/2"	3"	-
A	62	62	70	74	84	95	107	137	163	163
D	53	53	63	70	85	101	124,5	155	188	188
t SSO ²	16,5	16,5	19,5	22,5	26,5	31,5	38,5	45	55,5	64
t FSP ⁴ PE	13	14,5	15,5	18,5	15,5	29	31	32	30	38
L SSP ³	115	125	145	154	174	194	223	287	300	341
L FSP ⁴ PE	112	123	143	151	142	180	197	253	293	323
Z SSO ²	68	67	76	80	91	103	120	148	180	173
Z TSO ¹	67	67	77	81	90	104	120	150	185	-
PN	16	16	16	16	16	16	16	16	10	6

Dimensions in mm

- ¹ TSO = threaded socket
- ² SSO = solvent socket
- ³ SSP = solvent spigot
- ⁴ FSP = fusion spigot
- = not realised

Line strainer S4



PP

Connector types

PP fusion socket / fusion spigot / threaded socket

DN	10	15	20	25	32	40	50	65	80	80
d	16	20	25	32	40	50	63	75	90	110
G _{TSO} ¹	3/8"	1/2"	3/4"	1"	1 1/4"	1 1/2"	2"	2 1/2"	3"	-
A	62	62	69	73	83	94	108	133	160	160
D	53	53	64	71	84,5	100	120,5	155	187	187
t _{FSO} ²	14,5	16	17,5	19,5	22	25,5	29	34,5	38,5	42
L _{FSP} ³	114	124	143	152	171	191	220	277	295	312
Z _{TSO} ¹	67	67	74	80	89	103	119	143	180	-
Z _{FSO} ²	71	68	78	84	97	113	136	162	211	211
PN	10	10	10	10	10	10	10	8	6	6

Dimensions in mm

¹ TSO = threaded socket

² FSO = fusion socket

³ FSP = fusion spigot

- = not realised

Radial installation and removal of line strainer

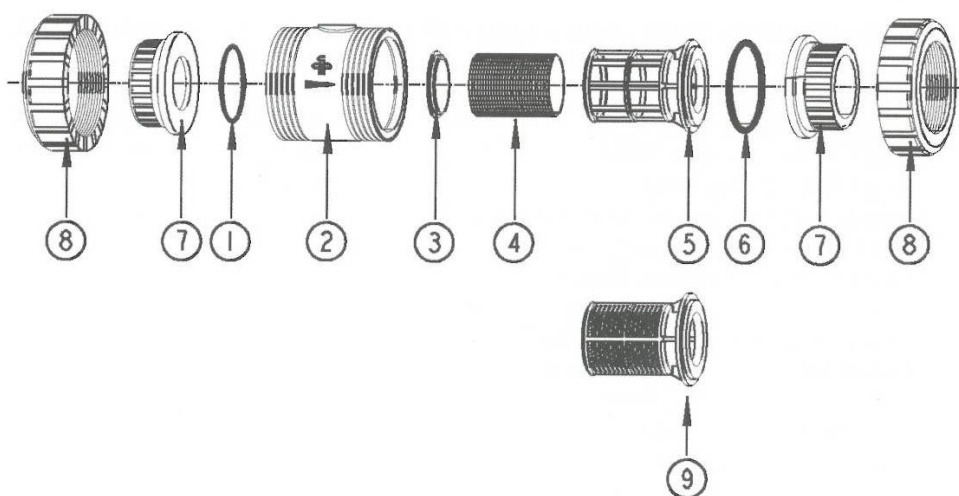
The face to face dimensions for Valves with Fix Flanges are according to DIN standards. Attention has to be given for sizes DN65 & DN80, where the length between the union nuts and fix flanges are insufficient to allow for removal of the valves by their body only. Disassembling of the valves can only be done by removing the Whole valves at the flanges. Hence, utmost importance and due consideration must be given to ensure sufficient space on the other side's flanges with respect to the length of bolts

Line strainer S4

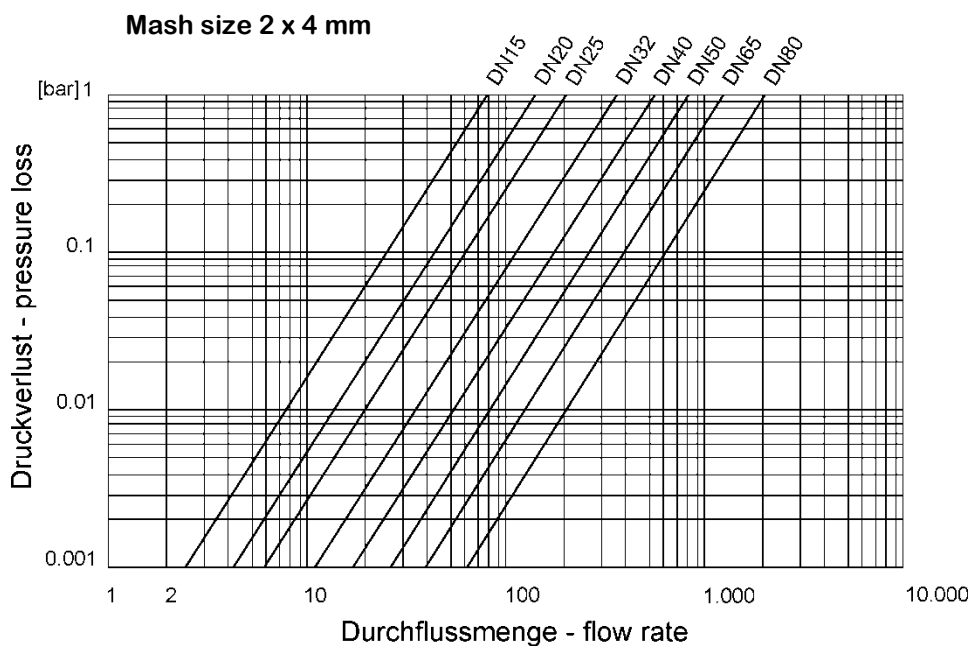


Exploded drawing:

- | | |
|--|---|
| <ul style="list-style-type: none"> 01. O-Ring 02. Body 03. Filter ring 04. Screen stainless steel
Mash size 0,5 / 0,75 / 1 mm 05. Filter basket 06. O-Ring | <ul style="list-style-type: none"> 07. Connector types
Solvent socket
Solvent spigot
Threaded socket
Fusion socket
Fusion spigot 08. Union nut 09. Filter cartridge
Mash size 2 x 4 mm |
|--|---|



Diagrams:

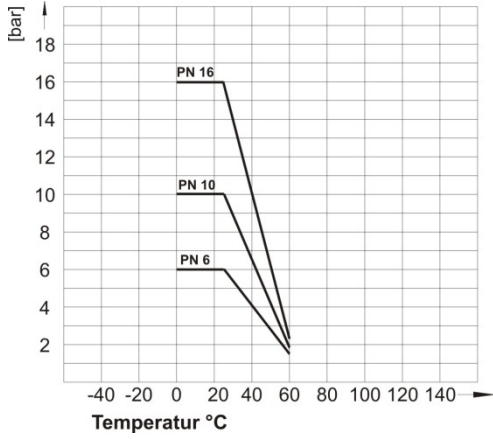


Line strainer S4



Pressure – Temperature – Diagram

PVC



PP

