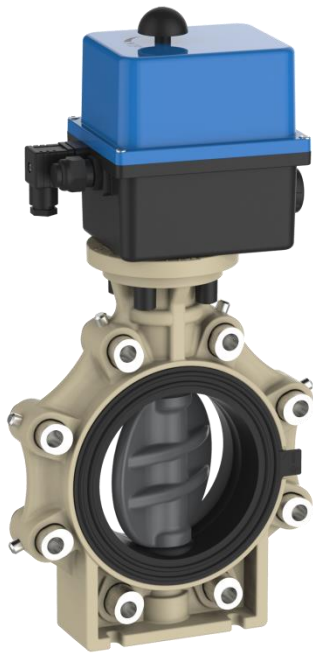


Butterfly Valve K4 Lug-Type Electric Actuators ER35 / ER60



General:

- Sealing materials: EPDM, FPM
- Body material: PP-GF
- Flap materials: PVC-C
- Dimensions: DN65 – DN100
d75 – d110
2 ½" – 4"
- Flange standards: DIN 2501 PN10
ANSI B 16,5 Class 150
- Additional dimensions: DN65/d63 PVC-U
DIN 2501 PN10
- Insert material: INOX A4
- Pin material: INOX A2

Operating pressure:

PVC-C

Used as intermediate butterfly valve: PN10

Actuator material:

- ER – plastic enclosure

Technical features:

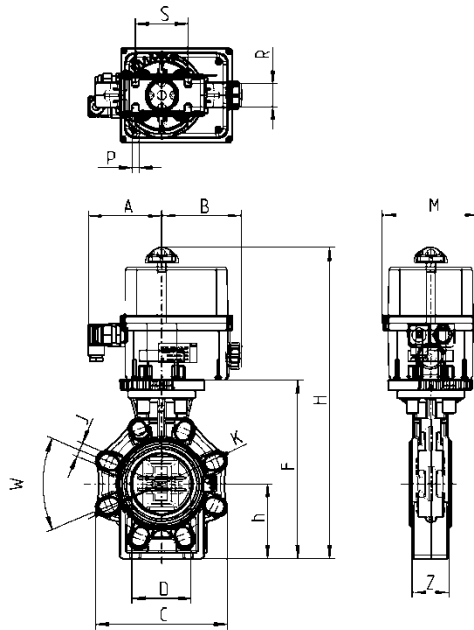
- only sleeve gasket and disc in touch with medium
 - double sealed shaft
 - integrated bracket for fix point mounting
 - direct mounting of the actuator without additional adapter or screws
 - mechanical limit stops
 - emergency manual override
 - protection class ER IP65 or VS IP67
 - position indication
 - torque and force limiters
 - If used as End-of-line valve a blind flange has to be mounted on the free connection side.
 - Pressure has to be reduced if a flange is disassembled on one side
 - DN65 to DN125 → max. 6bar
 - DN150 to DN200 → max. 4bar
- Only temporary usage

This document does not constitute a guarantee, it is for initial information purpose only. The product range is continually upgraded, the designs and types therefore only reflect the state of the art at the time of printing. Subject to technical modifications!

Butterfly Valve K4 Lug-Type Electric Actuators ER35 / ER60



Dimensions:



	ER35	ER60	ER60
DN	65	80	100
d	75	90	110
G	2 1/2"	3"	4"
D	65	80	100
C	133	176	206
W	90°	45°	45°
J	19	19	19
K	127-145	146-160	175-190,5
K-DIN	145	160	180
K-ANSI	139,7	152,4	190,5
H	409	416	446
h	100	100	115
A	98	98	98
B	107	107	107
M	128	128	128
N	-	-	-
Z	46	49	56
S	55	70	85
R	25	30	35
P	7	9	9
F	232	239	269
E	-	-	-

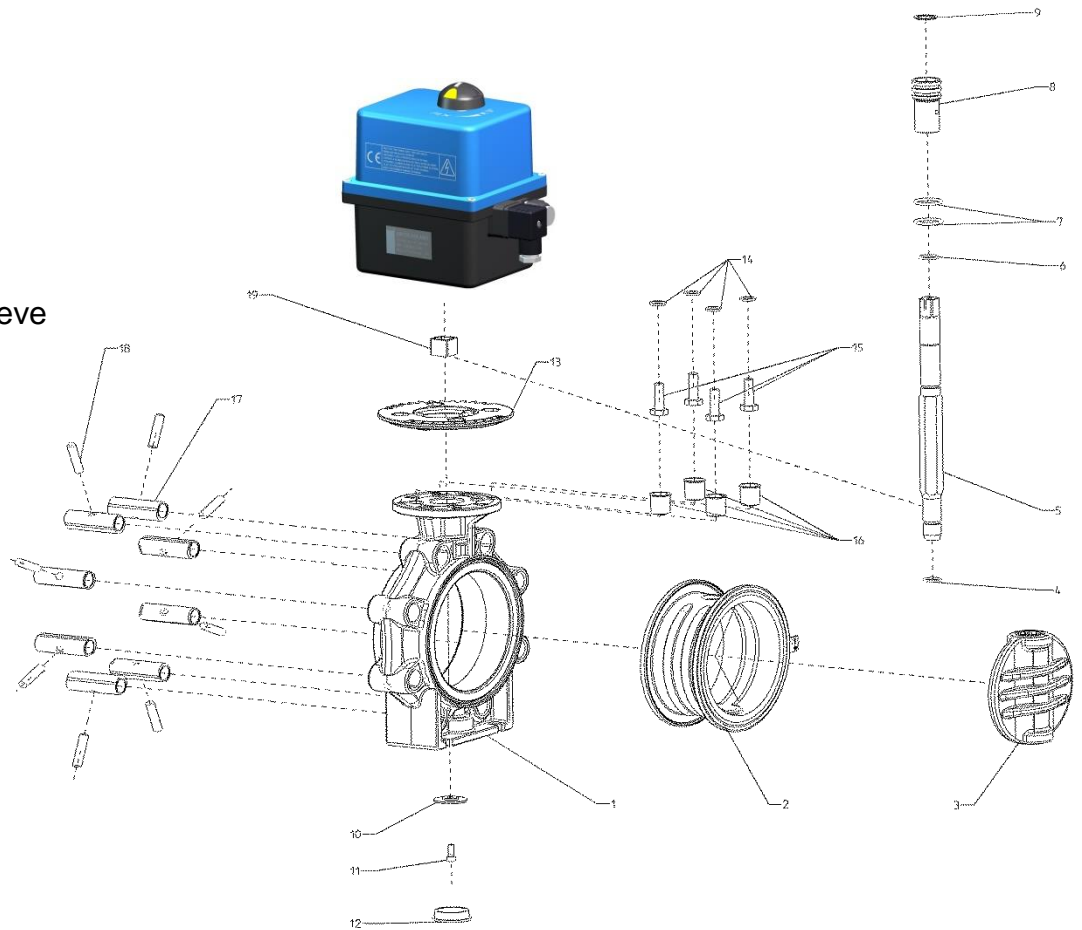
Dimensions in mm

Butterfly Valve K4 Lug-Type Electric Actuators ER35 / ER60



Exploded drawing:

- 01. Body
- 02. Sleeve
- 03. Flap
- 04. Sealing shaft below
- 05. Shaft
- 06. Sealing shaft above
- 07. Sealing pilot bushing
- 08. Pilot bushing
- 09. Retaining ring
- 10. Holding disc
- 11. Screw
- 12. Cap
- 13. Cover plate
- 14. Tooth wheels
- 15. Screws
- 16. Caps
- 17. Inserts
- 18. Pins
- 19. Reducing sleeve



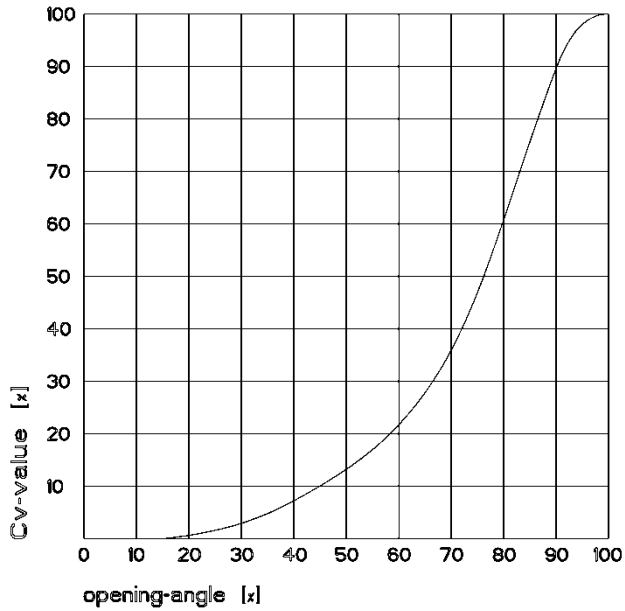
© Praher Plastics Austria GmbH DB/DEEN/18/08/413/A Subject to technical modifications!

Butterfly Valve K4 Lug-Type Electric Actuators ER35 / ER60

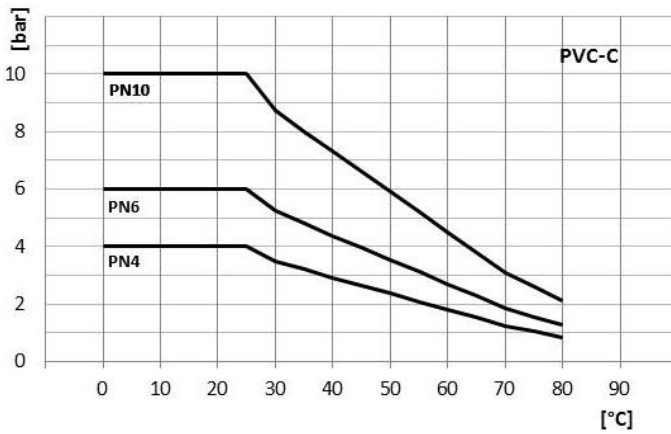


Diagrams:

Flow - characteristic



Pressure – temperature - diagram



© Praher Plastics Austria GmbH DB/DEEN/18/08/413/A Subject to technical modifications!



+612 9615 9774
contact@mandalaypcf.com.au

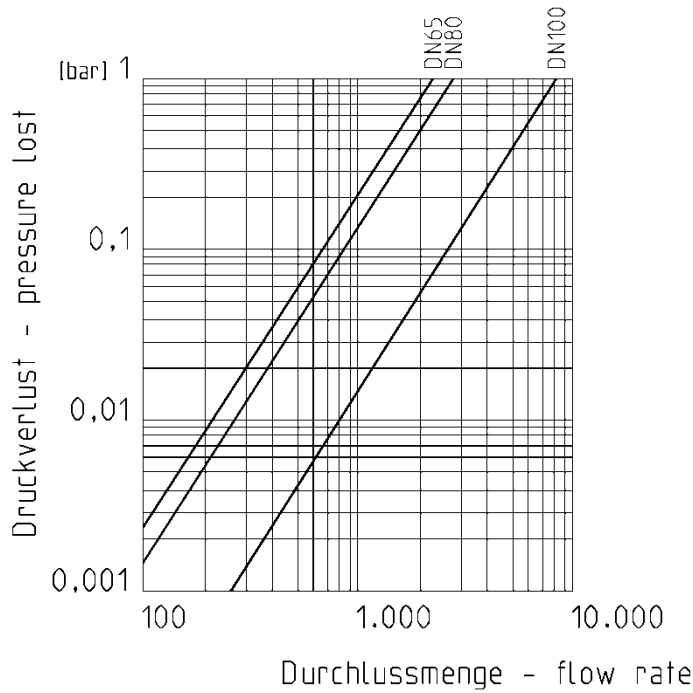
www.mandalaypcf.com.au



Butterfly Valve K4 Lug-Type Electric Actuators ER35 / ER60



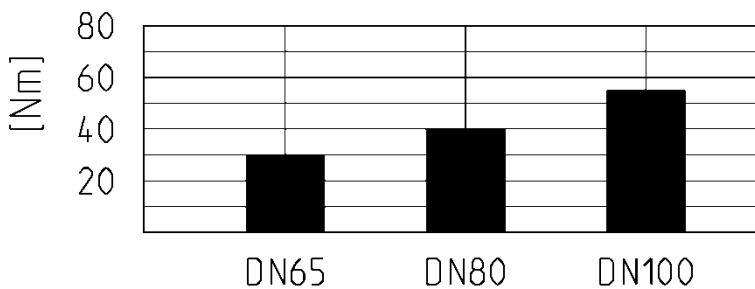
Pressure – loss - diagram



Cv value table

Pressure loss	DN65	DN80	DN100
0,001 bar	73 l/min	88 l/min	260 l/min
1 bar	2300 l/min	2800 l/min	8200 l/min

Torque



Tightening torque of screws for flange connections

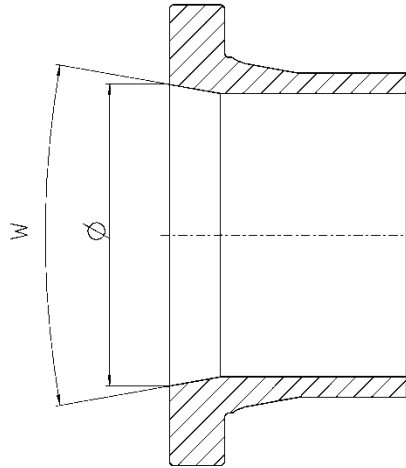
DN	65	80	100
Nm	15	18	20



Butterfly Valve K4 Lug-Type Electric Actuators ER35 / ER60

Installation in piping:

For a correct and complete opening of the flap, it is necessary that the used sockets and stub flanges have at least an inner diameter according to the table.



DN	d	Ø (mm)	w (°)
DN50*	d63*	60	40
DN65	d75	60	40
DN80	d90	77	40
DN100	d110	96,5	40

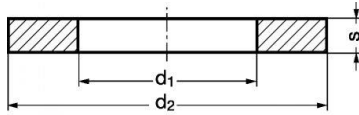
* Suitable only for **DIN** DN50 d63 sockets and stub flanges.

Butterfly Valve K4 Lug-Type Electric Actuators ER35 / ER60



General installation instructions

- Use suitable washers in accordance with DIN125A.



DN	65	80	100
Thread	M16	M16	M16
d1	17	17	17
d2	30	30	30
s	3	3	3

Dimensions in mm

- Adapt screw length to flange or stub flange.
- Check torque of screws on the opposite side, when one-side is removed (see torque of screws at flange connections).

Technical Data Actuator:

Electric Actuator ER

- 2 preset limit switches
- 2 position feedbacks
- Mechanical stop at 90°
- 180° or 270° without mechanical stop
- Duty cycle 30%
- Protection class IP65
- Ambient temperatur -10 bis 50°C
- ISO connection F05 / F07
- Octagon 22 mm
- Weight 2,1 kg

Type	ER35	ER60
Torque	35Nm	60Nm
Tensions	24V AC/DC, 90-240V AC	
Operating time	10s	15s
Power	15W	45W