

Description

Type	Safety and Relief valve
Connections	Threaded BSP / NPT
Rating	PN-40
Material	Stainless steel 316 L
Temperature range	-10 to +350°C
Cryogenic service until	-196°C

Requirements

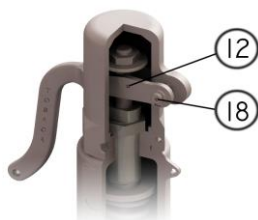
Calculation	EN-4126-1 / 7
Design	EN-12516-1, EN-4126-1 / 7 DIN 259 and ANSI B2.1
Materials	EN
Inspection	EN-4126-1 / 7

Construction and materials

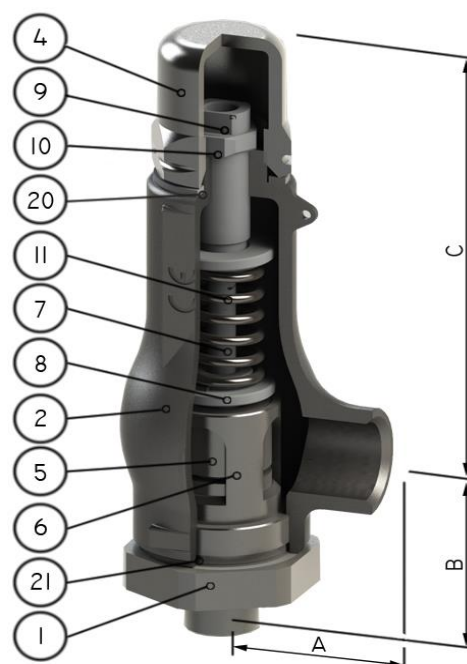
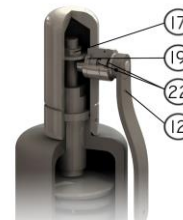
Item	Description	Material	
		Standard	Cryogenic
1	Nozzle	A351 CF-3M	A351 CF-3M
2	Body	A351 CF-3M	A351 CF-3M
4	Cap	A351 CF-8	A351 CF-8
5	Disc	AISI-316L	AISI-316L
6	Guide	A351 CF-3M	A351 CF-3M
7	Push Road	AISI-316L	AISI-316L
8	Spring Button	AISI-303	AISI-303
9	Ajusting Screw	AISI-303	AISI-303
10	Tensor Nut	AISI-303	AISI-303
11	Spring	AISI-302	17 / 7PH
12	Lever	A351 CF-8	A351 CF-8
17	Release nut	AISI-316	AISI-316
18	Lever axis	AISI-303	AISI-303
19	Packing lever axis	AISI-303	AISI-303
20	Gasket	PTFE	PTFE
21	Gasket	PTFE	PTFE
22	Gasket	Viton	PTFE
28	Soft seat	Viton / PTFE	Metal

 Recommended spare parts

Lifting device



Sealed packing lever



Soft seat



Technical information

Applications	Steam, gases, vapours and liquids
Min. Set pressure	0,2 barg
Overpressure	10%
Blowdown	Gases 10%, liquids 20%
Tolerance Set pressure	± 3%
Discharge coefficients	k= 0,55 for gases k= 0,48 for liquids

Dimensions

Inlet	Outlet	Orifice	Area (mm ²)	A (mm)	B (mm)	C (mm)	Weight (kg)
1/2"	3/4"	13	133	45	57	155	2,2
1/2"	1"	13	133	45	57	155	2,2
3/4"	1"	14	154	45	57	155	2,2
1"	1"	16	201	45	60	155	2,2
1"	1 1/4"	16	201	45	61	155	2,3
1"	2"	22	380	62	87	234	4,5
1 1/4"	1 1/4"	18	254	45	62	155	2,4
1 1/2"	2"	28	616	62	89	234	4,6
2"	2"	32	804	62	93	234	5,1

Model 1216 HP

Description

Type	Safety and Relief valve
Connections	Threaded BSP / NPT
Rating	PN-100, 250&400
Material	Stainless steel 316 L
Temperature range	-10 to +300° C
Cryogenic service until	-196°C

Requirements

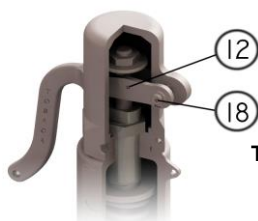
Calculation	EN-4126-1 / 7
Design	EN-12516-1, EN-4126-1 / 7 DIN 259 and ANSI B2.1
Materials	EN
Inspection	EN-4126-1 / 7

Construction and materials

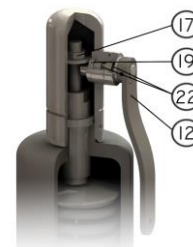
Item	Description	Material	
		Standard	Cryogenic
1	Nozzle	AISI-316	AISI-316
2	Body	A351 CF-3M	A351 CF-3M
4	Cap	A351 CF-8	A351 CF-8
5	Disc	17-4 PH	17-4PH
6	Guide	A351 CF-3M	A351 CF-3M
7	Push Road	AISI-316L	AISI-316L
8	Spring Button	AISI-303	AISI-303
9	Ajusting Screw	AISI-303	AISI-303
10	Tensor Nut	AISI-303	AISI-303
11	Spring	INCONEL X750	17-7 PH
12	Lever	A351 CF-8	A351 CF-8
17	Release nut	AISI-316	AISI-316
18	Lever axis	AISI-303	AISI-303
19	Packing lever axis	AISI-303	AISI-303
20	Gasket	PTFE	PTFE
21	Gasket	GRAPHITE + S.S.	
22	Gasket	Viton	PTFE

 Recommended spare parts

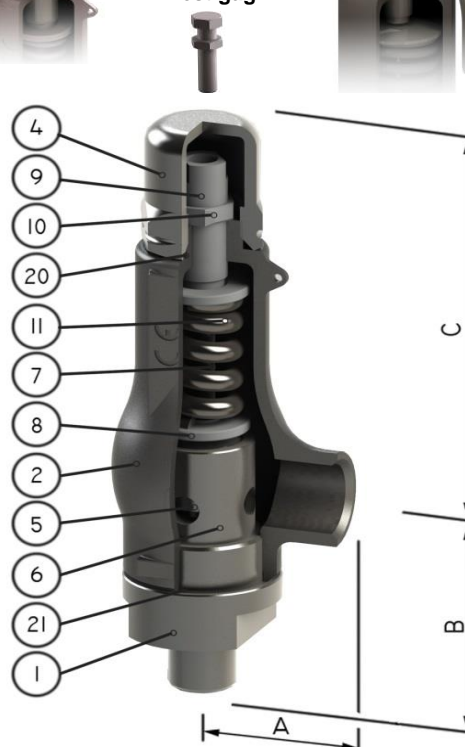
Lifting device



Sealed packing lever



Test gag



Technical information

Applications	Steam, gases, vapours and liquids
Min. Set pressure	0,2 barg
Max. Set pressure	300 barg
Overpressure	10%
Blowdown	Gases 10%, liquids 20%
Tolerance Set pressure	± 3%
Discharge coefficients	k= 0,5 for gases k= 0,4 for liquids

Dimensions

Inlet	Outlet	Orifice	Area (mm ²)	A (mm)	B (mm)	C (mm)	Weight (kg)
PN100 PN40							
1"	2"	16	201	62	100	235	5
1 1/4"	2"	18	254	62	100	235	5
1 1/2"	2"	20	314	62	100	235	6
2"	2"	22	380	62	100	235	6,3
PN250 PN40							
1/2"	3/4"	9	64	45	72	155	3
3/4"	3/4"	9	64	45	72	155	3
3/4"	1"	9	64	45	72	155	3
1"	1"	9	64	45	77	155	3
PN400 PN40							
1/2"	3/4"	6	28	45	72	155	3
3/4"	3/4"	6	28	45	72	155	3
3/4"	1"	6	28	45	72	155	3
1"	1"	6	28	45	77	155	3

Model 1216 C

Description

Type	Safety and Relief valve
Connections	Clamp / BSP
Rating	PN-10
Material	Stainless steel 316 L SS
Temperature range	-10 to +350°C

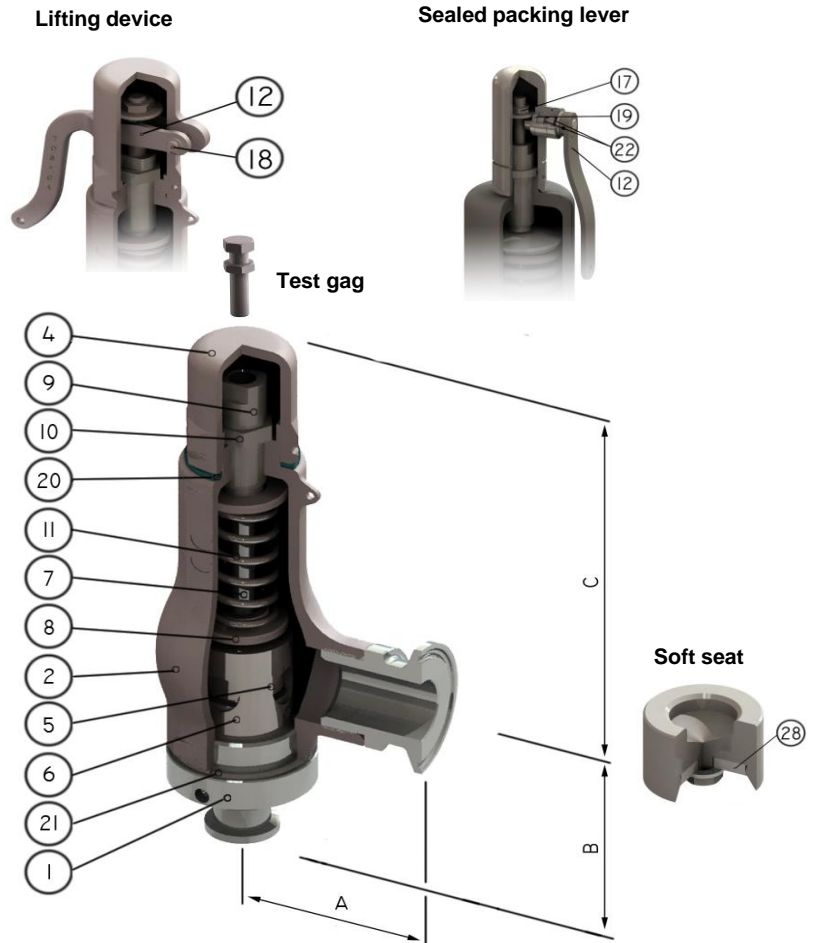
Requirements

Calculation	EN-4126-1 / 7 ISO-2852
Design	EN-12516-1, EN-4126-1 / 7 DIN 259 & ANSI B2.1
Materials	EN
Inspection	EN-4126-1 / 7

Construction and materials

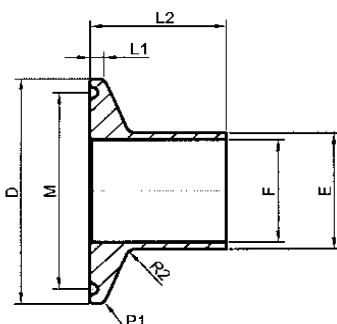
Item	Description	Material
1	Nozzle	A351 CF-3M
2	Body	A351 CF-3M
4	Cap	A351 CF-8
5	Disc	AISI-316L
6	Guide	A351 CF-3M
7	Push Road	AISI-316L
8	Spring Button	AISI-303
9	Ajusting Screw	AISI-303
10	Tensor Nut	AISI-303
11	Spring	AISI-302
12	Lever	A351 CF-8
17	Release nut	AISI-316
18	Lever axis	AISI-303
19	Packing lever axis	AISI-303
20	Gasket	PTFE
21	Gasket	PTFE
22	Gasket	Viton
28	Soft seat	Viton / PTFE

Recommended spare parts



Technical information

Applications	Steam, gases, vapours, liquids
Min. Set pressure	0,2 barg
Overpressure	10%
Blowdown	Gases 10%, liquids 20%
Tolerance Set pressure	± 3%
Discharge coefficients	k= 0,55 for gases k= 0,48 for liquids



Dimensions

Inlet	Outlet	Orifice	Area (mm ²)	A (mm)	B (mm)	C (mm)	Weight (kg)
15	25	9,5	71	73	65	155	2,4
20	25	15	176,6	73	65	155	2,4
25	25	18	254	73	67	155	2,8
40	40	32	804	90	98	234	8,2
15	1"	9,5	71	45	65	155	2
20	1"	15	176,6	45	65	155	2
25	1"	18	254	45	67	155	2,2
40	2"	32	804	62	98	234	8,2

Clamp ISO 2852

	D	M	E	L1	L2
15	25	19	12,7	2,85	12,7
20	25	19	19	2,85	12,7
1"(25)	50,5	43,5	25,6	2,85	21,5
1 1/2"(38)	50,5	43,5	38,6	2,85	21,5

Model 1216 B

Description

Type	Safety and Relief valve
Connections	PN 16, PN 40, 150#, 300# Threaded BSP / NPT
Rating	PN-40
Material	Stainless steel 316 L SS
Temperature range	-28 to +350°C

Requirements

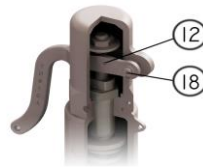
Calculation	EN-4126-1 / 7
Design	EN-12516-1, EN-4126-1 / 7 DIN 259, ANSI B2.1 and ANSI B16.5
Materials	EN
Inspection	EN-4126-1 / 7

Construction and materials

Item	Description	Material
1	Nozzle	A 351 CF 3M
2	Body	A 351 CF 3M
4	Cap	A 351 CF-8
5	Disc	AISI-316L
6	Guide	A 351 CF 3M
7	Push Road	AISI-316L
8	Spring Button	AISI-303
9	Ajusting Screw	AISI-303
10	Lock nut	AISI-303
11	Spring	AISI-302
12	Lever	A 351 CF-8
17	Release nut	AISI-316
18	Lever axis	AISI-303
19	Packing lever axis	AISI-303
20	Gasket	PTFE
21	Gasket	GRAPHITE + S.S.
22	Gasket	Viton
28	Soft seat	Viton / PTFE

Recommended spare parts

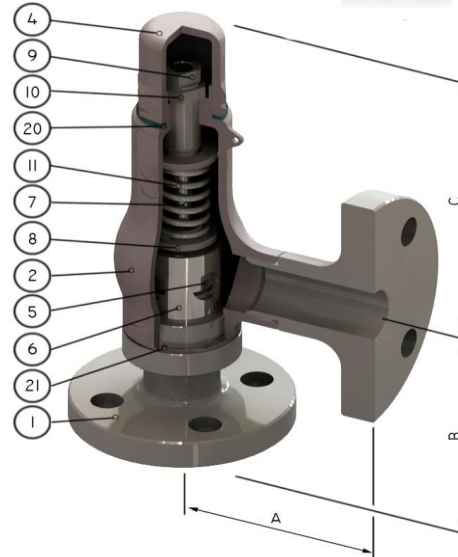
Lifting device



Sealed packing lever



Test gag



Soft seat



Technical information

Applications	Steam, gases, vapours and liquids
Min. Set pressure	0,2 barg
Overpressure	10%
Blowdown	Gases 10%, liquids 20%
Tolerance Set pressure	± 3%
Discharge coefficients	k= 0,55 for gases k= 0,48 for liquids

Dimensions

ANSI	Inlet	Outlet	Orif.	Area	A	A	B	C	weight	
	ANSI150	150	BSP		ANSI	BSP				
	ANSI300	RF	NPT	(mm)	(mm ²)	(mm)	(mm)	(mm)	(mm)	(kg)
		1/2"	1" o 1"	13	133	70	45	90	155	3
	3/4"	1" o 1"	14	154	70	45	90	155	3,2	
	1"	1" o 1"	16	201	70	45	90	155	3,5	

EN	PN 16	PN 16							
	PN 40		BSP						
			NPT						
		15	25 o 1"	13	133	70	45	90	155
	20	25 o 1"	14	154	70	45	90	155	3,2
	25	25 o 1"	16	201	70	45	90	155	3,5