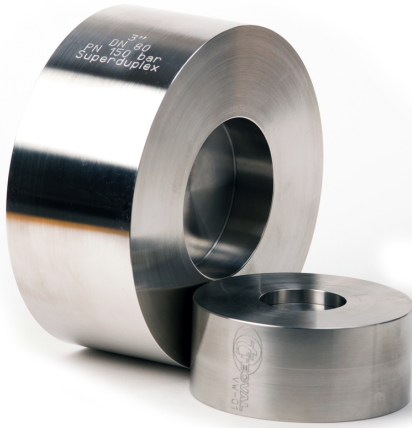




VW-01 *

Wafer Type Check Valve between flanges EN1092-1 Up to 160 bar (2300 PSI)

TECVAL manufactures its VW-01 Wafer Type Check Valve. Developed by TECVAL, it is an exclusive and totally innovative use of the seal, which is suitable to work under high pressure service. Its compact design guarantees a total hold-up, even with high volatile gases, fluids, steam,...etc.



Features

- Face to Face dimensions acc. to EN558-2, line 52.
- Compact design.
- No maintenance required.
- Easy mounting in any position.
- 100% tested.

Options

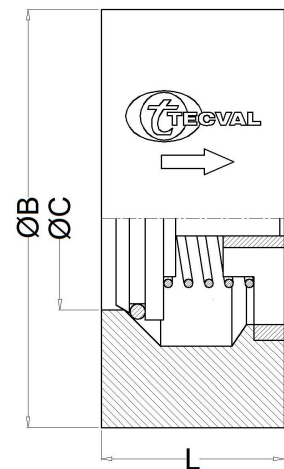
- NBR seats. **B**
- EPDM seats. **E**
- NEOPREN seats. **N**

Technical data

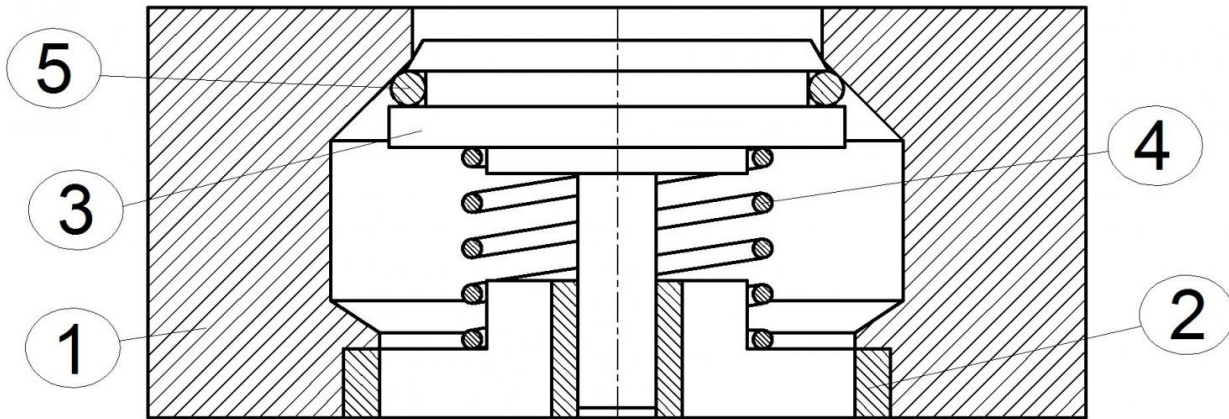
Max. Pressure	Up to 160 bar (2300 PSI)								
Obert. Press	20 mbar (0,3 PSI)								
Temperatures	-20°C/200°C (-4°F/392°F)								
Dimensions	DN15	DN20	DN25	DN32	DN40	DN50	DN65	DN80	DN100
L	25	31.5	35.5	40	45	56	63	71	80
(PN100-PN160) B	61	72	82	90	103	119	144	154	180
(PN64) B	61	72	82	90	103	113	138	148	174
(PN25-PN40) B	51	61	71	82	92	108	127	142	168
C	15	20	25	32	40	48.5	63	77	96

Order codes

PN100 - PN160	4650	4651	4652	4653	4654	4655	4656	4657	4658
PN64	4660	4661	4662	4663	4664	4665	4666	4667	4668
PN25 - PN40	4670	4671	4672	4673	4674	4675	4676	4677	4678



* Dimensions in mm



Materials

Nº Part	AISI-316L A4	Duplex AD	SuperDuplex AS	Special alloys
1 Body	AISI-316L (1.4404)	Duplex (1.4462)	Superduplex (1.4410/1.4501)	Special alloy
2 Bonnet	AISI-316L (1.4404)	Duplex (1.4462)	Superduplex (1.4410/1.4501)	Special alloy
3 Stem	AISI-316L (1.4404)	Duplex (1.4462)	Superduplex (1.4410/1.4501)	Special alloy
4 Spring	Stainless Steel Coated	Stainless Steel Coated	Stainless Steel Coated	Stainless Steel Coated
5 Seat	FPM	FPM	FPM	FPM

Special alloys

Among the wide range of alloys existing, TECVAL has selected those considered by our customers as most suitable, which we stock to ensure a quick and effective supply. Whether you do not find the required alloy or need further information about our special alloys valves and fittings, please address your inquiry to our Technical Department.

AISI-316Ti (1.4571) **A6**, AISI-904L (1.4539) **A9**, 254-SMO (1.4547) **AV**, Alloy 400 (2.4360) **MO**, Alloy 625 (2.4856) **IN**, Alloy 825 (2.4858) **CO**, Titanium Gr.2 (3.7034) **TI**, Hastelloy C-276 (2.4819) **HA**.

Ordering information

References are formed by three parts:

Valve Code	Option/s	Material
Look for it in the order codes chart on the previous page.	-If required, add the code/s from the options section on the previous page (in alphabetical order)	-Look for the code on the materials chart.

An example of valve and one option:

Wafer Type Check Valve VW-01 DN 50 PN160 Superduplex with EPDM seat:

4655 E AS The reference required to place the order is **4655EAS**.

Tests

100% tested in accordance to API STANDARD 598, each valve is tested to check the leakage in the seats. Upon request, the corresponding materials and test certificates can be delivered with the valve.

Packaging

All TECVAL valves are supplied packed in individual polyethylene airtight bags. End screw connections are protected with polyethylene caps. Everything is 100% recyclable.

Elastomers

Seat (position 5) can be made of different materials (NBR, EPDM & NEOPREN) upon request, considering the working conditions and fluid of the valve. For further information, please contact our Technical Department.



TECVAL S.L.
C/Berlin, 1 Nave 4
Pol.Can Torrella
08233-VACARISSES
Barcelona - SPAIN
Tel: +34 938 280 055
tecval@tecval.es