



CP-15

Integral Bonnet Needle Valve

Working Pressures: 100 | 420 bar (1500 | 6000 PSI)

TECVAL CP-15 needle valves are designed to work with all kind of fluids under high pressure or moderate vacuum service. With a compact design, the **Forged Body** incorporates the bonnet allowing the valves to withstand both high pressure and temperature.



Features

- Compact design with Forged Body.
- Metal-to-metal shut-off.
- Movable stem tip.
- PTFE packing.
- AISI-316L T-Bar handle.
- 100% tested.

Options

- Automation through electric multi-turn actuator. **A**
- Male-Female (MxF) end connections. **C**
- Grafoil packing for high temperatures. **G**
- High working pressure 420 bar (6000 PSI). **I**
- Angle Pattern. **L**
- Bleed screw in outlet. **P**
- V stem. **R**
- Positioner nut. **T**
- Aluminium handle wheel. **V**
- Panel nut. **X**

Technical data

Max. Pressure	Standard working pressure: 100 bar (1500 PSI) High working pressure 420 bar (6000 PSI)				
Temperatures	-20°C/400°C (-4°F/752°F)				
Dimensions	1/4"	3/8"	1/2"	3/4"	1"
A Open	71	87	87	107	107
A Closed	65	79	79	96	96
B	11	13	16	19	23
L (BSP/NPT/SW/BW)	26	30	37.5	37.5	50
Orifice Size	6	8	8	12	12
Maximum Cv	0.8	1.4	1.4	2.5	2.5

Order codes

BSP (ISO 228-1)	0400	0410	0420	0430	-
NPT (ANSI B1.20.1)	0403	0413	0423	0433	-
SW (ANSI B16.11)	0406	0416	0426	0436	-

BW Sch.40s (ANSI B16.25)	0409	0419	0429	0439	0449
TecvalOK	0407	0417	0427	0437	-



* Dimensions in mm

Materials

Nº	Part	AISI-316L A4	Duplex AD	Superduplex AS	Special Alloys
1	Bar handle	AISI-316L (1.4404)	AISI-316L (1.4404)	AISI-316L (1.4404)	AISI-316L (1.4404)
2	Handle screw	AISI-304 (1.4301)	AISI-304 (1.4301)	AISI-304 (1.4301)	AISI-304 (1.4301)
3	Nut	AISI-316L (1.4404)	AISI-316L (1.4404)	AISI-316L (1.4404)	AISI-316L (1.4404)
4	Gland	AISI-316L (1.4404)	AISI-316L (1.4404)	AISI-316L (1.4404)	AISI-316L (1.4404)
5	Packing	P.T.F.E.	P.T.F.E.	P.T.F.E.	P.T.F.E.
6	Washer	AISI-316L (1.4404)	Duplex (1.4462)	Superduplex (1.4410/1.4501)	Special alloy
7	Stem	AISI-316L (1.4404)	Duplex (1.4462)	Superduplex (1.4410/1.4501)	Special alloy
8	Movable stem tip	AISI-316L (1.4404)	Duplex (1.4462)	Superduplex (1.4410/1.4501)	Special alloy
9	Body	AISI-316L (1.4404)	Duplex (1.4462)	Superduplex (1.4410/1.4501)	Special alloy

Special alloys

Among the wide range of alloys existing, TECVAL has selected those considered by our customers as most suitable, which we stock to ensure a quick and effective supply. Whether you do not find the required alloy or need further information about our special alloys valves and fittings, please address your inquiry to our Technical Department.

AISI-316Ti (1.4571) **A6**

AISI-904L (1.4539) **A9**

254-SMO (1.4547) **AV**

Alloy 400 (2.4360) **MO**

Alloy 625 (2.4856) **IN**

Alloy 825 (2.4858) **CO**

Titanio Gr.2 (3.7034) **TI**

Hastelloy C-276 (2.4819) **HA**

Ordering information

References are formed by three parts:

Valve Code -Look for it in the order codes chart on the previous page.

Option/s -If required, add the code/s from the options section on the previous page (in alphabetical order).

Material -Look for the code on the materials chart.

An example of valve with one option:

The valve CP-15 1/2"NPT with grafoil packing:

0423 G A4 . The reference required to place the order is: **0423GA4**

Tests

100% tested in accordance to API STANDARD 598, each valve is tested to check the leakage in the seats and packing. Upon request, the corresponding materials and test certificates can be delivered with the valve.

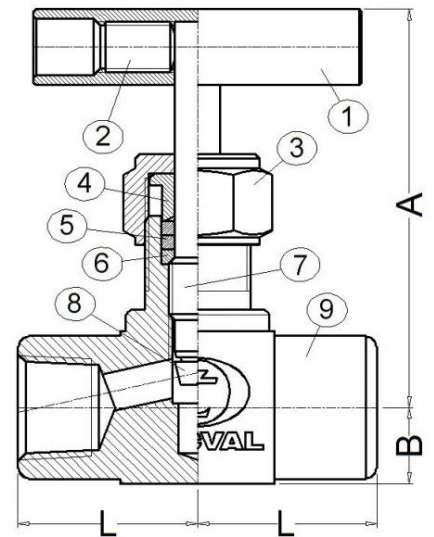
Packaging

All TECVAL valves are supplied packed in individual polyethylene, airtight bags. End screw connections are protected with polyethylene caps. Everything is 100% recyclable.

Maintenance

Adjustment of the packing may be necessary during the working life of the valve. The operation consists of turning the nut (3) clockwise. Valves with long no-working period may have a harder initial operating torque.

STRAIGHT PATTERN



ANGLE PATTERN

